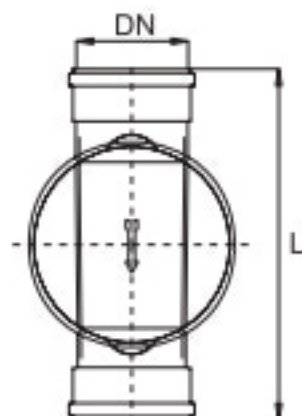
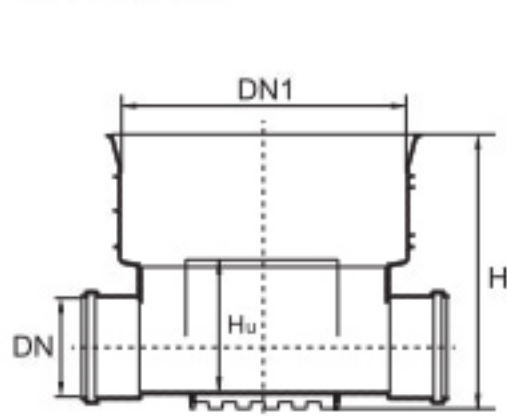


CHAMBERS BASE TYPE 425 STRAIGHT

WITH SEAL



DN [mm]	DN1 [mm]	H [mm]	Hu [mm]	L [mm]	Product no.
110	455	335	200	460	35100
160	455	441	210	590	35130
200	455	384	240	515	35215
250	455	780	515	1130	35235
315	455	780	520	1080	35325